

Bridge Federation of Asia & Middle East

23rd BFAME Championships

April 10th to 18th 2025



Dubai – UAE



CRESCENT
G R O U P



Bulletin 3

Editors: Mark Horton & Ron Tacchi

Monday 14th April

A Study In Concentration

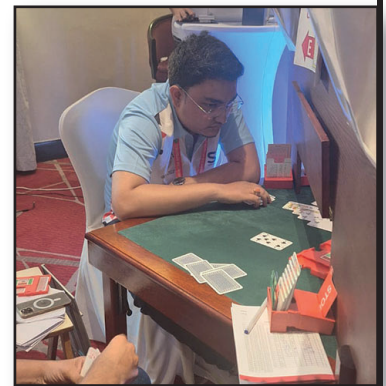


Eman Bamehrez
& Timur Edis

In all four championships there are two teams well ahead of the rest of the pack although in the Womens Championship with **India** a match ahead of **UAE**, **Pakistan** is only a match behind

In the Open Championship it is **Bangladesh** who have a slight lead over **India** but they are at least a match and a half ahead of their rivals.

The Seniors Championship is dominated by **India** and **Pakistan** who are close to being two matches ahead of their rivals.



Sayatan Kushari

The Mixed Championship has an even greater disparity. The leaders **UAE** are nearly a match ahead of second-placed **India** with the next team over two matches behind. But the difference between the fourth and fifth placed teams is only six VPs so no one is out of the semi-final places.

The BBO matches for Friday 11 April are as follows:

Match 01 - 10.00 Seniors: Saudi Arabia vs. UAE & Mixed: UAE vs. India

Match 02 - 14.00 Open: Jordan vs. Sri Lanka & TBD

Match 03 - 16.50 Open: Kuwait vs. UAE & TBD





An Abundance of IMPs

Mark Horton

In Round 6 the entertainment was provided by the Open teams representing Kuwait and Pakistan, and the India and UAE Women. They encountered a demanding set of deals.

Board 19. Dealer South. E/W Vul.

♠ J2		♠ K108654
♥ 6532		♥ A1094
♦ QJ4		♦ 8
♣ A875		♣ 42
♠ Q7		
♥ KQJ		
♦ A109762		
♣ 109		

	♠ A93	
	♥ 87	
	♦ K53	
	♣ KQJ63	

	♠ N	
W		E
	♠ S	

Kuwait v Pakistan

Open Room

West	North	East	South
<i>Khan</i>	<i>Husain</i>	<i>Bilal</i>	<i>Alrefae</i>
-	-	-	1♣
1♦	Pass	1♠	2♣
2♦	3♣	All Pass	

West led the ♥K and continued with the ♥Q (the ♥J might have been better). When East decide against overtaking and switching to a diamond West continued with the ♥J and declarer ruffed, drew trumps and played on diamonds for +110.

Closed Room

West	North	East	South
<i>Almaraghi</i>	<i>Ali</i>	<i>Alruwayeh</i>	<i>Hussian</i>
-	-	-	2♣*
2♦	2NT	All Pass	
2♣	Precision		

East led the ♠6 and declarer won the second round of the suit and played the ♦3. West shot up with the ♦A and played three rounds of hearts, East overtaking the last of them and cashing winners for five down, -250 and 8 IMPs for Kuwait.

India v UAE

Open Room

West	North	East	South
<i>Aggarwal</i>	<i>Batra</i>	<i>Law</i>	<i>Sharma</i>
-	-	-	1♣
1♦	1NT	2♠	Pass
Pass	Double	All Pass	

South started with the ♣KQ and then switched to the ♥8, declarer winning with dummy's ♥J and playing the ♥6 for the jack, king and ace. She was soon entering +1070 in the in column.

Closed Room

West	North	East	South
<i>Dey</i>	<i>El Ebiary</i>	<i>Kshiragar</i>	<i>Hindi</i>
-	-	-	1♣
1♦	1♥*	1♠	Pass
2♦	Pass	2♠	All Pass
1♥	4+♥		

Here the score was a more modest +170 which meant the loss of 14 IMPs.

Board 20. Dealer West. All Vul.

♠ Q82		♠ 743
♥ KQ6		♥ AJ542
♦ AJ		♦ 843
♣ AQ972		♣ 65
♠ AJ106		
♥ 1093		
♦ Q52		
♣ K108		

	♠ N	
W		E
	♠ S	

	♠ K95	
	♥ 87	
	♦ K10976	
	♣ J43	

Kuwait v Pakistan

Open Room

West	North	East	South
<i>Khan</i>	<i>Husain</i>	<i>Bilal</i>	<i>Alrefae</i>
Pass	1♣	Pass	1NT
Pass	3NT	All Pass	

West led the ♦2 and declarer put up dummy's ♦A, overtook the ♦J and exited with the ♦10, West



23rd BFAME Championships



winning and switching to the ♠J. Declarer won with the ♠K and cashed two diamonds. On the first of these West pitched the ♥3 and East the ♥2, but when West then parted with the ♥10 declarer played a club to the queen and the ♥Q. East won and returned the ♥5 to dummy's ♥K, but declarer could cash the ♣A and exit with the ♣9 forcing West to surrender the game going trick to dummy's ♠Q, +600.

Suppose East had followed to the first diamond with the three, promising an odd number of cards. If he had then played the ♦8 followed by the ♦4 he would be denying any interest in spades, but might be interested in a heart switch. (Here East had played an upside down ♦8 on the first round, but the same principle can be applied to the subsequent use of the ♦4 and ♦3.). That's a convoluted way of saying West might have switched to the ♥10 at trick four, simplifying the defence.

Closed Room

West	North	East	South
<i>Almaraghi</i>	<i>Ali</i>	<i>Alruwayeh</i>	<i>Hussian</i>
Pass	1♣	Pass	1♥*
Pass	1NT	Pass	3NT
All Pass			
1♥	7-9		

East led the ♥4 and declarer won with the ♥K and played a spade for the king and ace. Back came the ♥10 and East took declarer's ♥Q and cashed his winners in the suit, squeezing his partner, who came down to ♠J10 ♦Q52 ♣K10. East exited with the ♣5 for the three, king and ace and declarer now cashed the ♦A and ran the ♦J, finishing two down, -200 and 13 IMPs for Kuwait.

Board 22. Dealer East. E/W Vul.

♠ AK105		♠ 82									
♥ Q		♥ K10986542									
♦ Q98		♦ J10									
♣ AKJ94		♣ 3									
♠ 97											
♥ A3											
♦ K6543											
♣ 8752											
	<table border="1" style="border-collapse: collapse; width: 40px; height: 40px; margin: 0 auto;"> <tr> <td></td> <td>N</td> <td></td> </tr> <tr> <td>W</td> <td></td> <td>E</td> </tr> <tr> <td></td> <td>S</td> <td></td> </tr> </table>		N		W		E		S		
	N										
W		E									
	S										
♠ QJ643											
♥ J7											
♦ A72											
♣ Q106											

Kuwait v Pakistan

Open Room

West	North	East	South
<i>Khan</i>	<i>Husain</i>	<i>Bilal</i>	<i>Alrefae</i>
-	-	3♥	Pass
Pass	Double	Pass	4♠
Pass	4NT*	Pass	5♣*
Pass	5♦*	Pass	5♠*
All Pass			
4NT	RKCB		
5♣	1 keycard		
5♦	♠Q?		

The traditional meaning of 5♠ is to deny the ♠Q. West led the ♥A but that was the only defensive trick, +480.

Closed Room

West	North	East	South
<i>Almaraghi</i>	<i>Ali</i>	<i>Alruwayeh</i>	<i>Hussian</i>
-	-	3♥	Pass
Pass	Double	Pass	4♠
Pass	4NT*	Pass	5♣*
Pass	6♠	All Pass	
4NT	RKCB		
5♣	1 keycard		

That was +980 and 11 IMPs for Pakistan.

India v UAE

Open Room

West	North	East	South
<i>Aggarwal</i>	<i>Batra</i>	<i>Law</i>	<i>Sharma</i>
-	-	3♥	Pass
Pass	Double	Pass	4♠
Pass	4NT*	Pass	5♣*
Pass	5♦*	Pass	6♠
All Pass			
4NT	RKCB		
5♣	1 keycard		
5♦	♠Q?		

That was +980.

Closed Room

West	North	East	South
<i>Dey</i>	<i>El Ebiary</i>	<i>Kshiragar</i>	<i>Hindi</i>
-	-	3♥	Pass
Pass	Double	Pass	4♠
All Pass			

Missing the slam meant an 11 IMP loss.

Here is a little bidding problem from Board 23: You hold as East ♠Q10 ♥A1097 ♦J73 ♣AJ73



23rd BFAME Championships



and see South open 1NT (15-17) and partner overcall 2♦, diamonds and a higher-ranking suit. Your move?

East decided to pass, handing **India** 11 IMPs when partner had ♠A4 ♥KQJ86 ♦Q10965 ♣2.

Kuwait v Pakistan

Open Room

West	North	East	South
<i>Khan</i>	<i>Husain</i>	<i>Bilal</i>	<i>Alrefae</i>
1♦	Double	Redouble	1♥
1♠	Pass	2♥	Pass
3♦	Pass	5♦	All Pass

North led the ♥A and declarer ruffed drew trumps ending in hand and played the ♠5. When North followed with the two, declarer could win with dummy's ♠J, ruff out the ♠K and claim +440.

Could they reach 6♦ in the other room?

Closed Room

West	North	East	South
<i>Almaraghi</i>	<i>Ali</i>	<i>Alruwayeh</i>	<i>Hussian</i>
Pass	1♦*	1NT	2♦*
Double	2♥	Pass	Pass
Double	All Pass		
2♦	Transfer		

The answer was an emphatic no.

East led the ♦K and declarer ruffed in dummy, played a heart to the ace, ruffed a diamond and drew trumps and ran the ♣7. East won with the ♣K and switched to the ♠J. When West put up the ♠A declarer could not be denied a second overtrick, +670 and 15 IMPs for **Pakistan**, giving them the lead.

Board 25. Dealer North. E/W Vul.

♠ Q6542		♠ AK8									
♥ 105		♥ A7									
♦ J642		♦ K3									
♣ A5		♣ QJ10873									
♠ 973	<table border="1"> <tr><td></td><td>N</td><td></td></tr> <tr><td>W</td><td></td><td>E</td></tr> <tr><td></td><td>S</td><td></td></tr> </table>		N		W		E		S		♠ 95
		N									
W			E								
		S									
♥ KJ	♥ 7										
♦ Q975	♦ 7										
♣ K642	♣ KQ10987432	♣ AKQ1082									
♠ J10		♥ K865									
♥ Q986432		♦ K6									
♦ A108		♣ A									
♣ 9											

Kuwait v Pakistan

Open Room

West	North	East	South
<i>Khan</i>	<i>Husain</i>	<i>Bilal</i>	<i>Alrefae</i>
-	Pass	1♣	3♥
Pass	Pass	Double	Pass
3NT	All Pass		

North led the ♥10 and declarer won with dummy's ♥A and forced out the ♣A. When North won the second round and switched to the ♦J declarer had 11 tricks, +660.

Closed Room

West	North	East	South
<i>Almaraghi</i>	<i>Ali</i>	<i>Alruwayeh</i>	<i>Hussian</i>
-	Pass	1NT	2♦*
2NT	Pass	3♣	All Pass

Declarer took 10 tricks, but +130 meant the loss of 11 IMPs.

Board 26. Dealer East. All Vul.

♠ 76		♠ AKQ1082									
♥ J43		♥ K865									
♦ Q1085432		♦ K6									
♣ 6		♣ A									
♠ 95	<table border="1"> <tr><td></td><td>N</td><td></td></tr> <tr><td>W</td><td></td><td>E</td></tr> <tr><td></td><td>S</td><td></td></tr> </table>		N		W		E		S		♠ J43
		N									
W			E								
		S									
♥ 7	♥ AQ1092										
♦ 7	♦ AJ9										
♣ KQ10987432	♣ J5										

Kuwait v Pakistan

Open Room

West	North	East	South
<i>Khan</i>	<i>Husain</i>	<i>Bilal</i>	<i>Alrefae</i>
-	-	1♠	2♥
5♣	All Pass		

North led the ♥3 and South won with the ♥Q and switched to the ♣5, +620.

Closed Room

West	North	East	South
<i>Almaraghi</i>	<i>Ali</i>	<i>Alruwayeh</i>	<i>Hussian</i>
-	-	1♠	Pass
2♣	Pass	2♠	Pass
5♣	Pass	6♣	All Pass



23rd BFAME Championships



North led the ♦5 and South cashed his aces, -100 and another 12 IMPs for Pakistan.

Board 27. Dealer South. None Vul.

♠ 8742	<table border="1"> <tr><td>N</td></tr> <tr><td>W</td></tr> <tr><td>S</td></tr> <tr><td>E</td></tr> </table>	N	W	S	E	♠ KJ
N						
W						
S						
E						
♥ —	♥ AQ8					
♦ KJ8652	♦ A1093					
♣ Q62	♣ A843					
♠ 95	♠ AQ1063					
♥ 976532	♥ KJ104					
♦ Q7	♦ 4					
♣ KJ5	♣ 1097					

Kuwait v Pakistan

Open Room

West	North	East	South
<i>Khan</i>	<i>Husain</i>	<i>Bilal</i>	<i>Alrefae</i>
—	—	—	1♠
Pass	1NT*	Double	Pass
2♦	Pass	3♦	Pass
5♦	All Pass		
1NT	Forcing		

North led the ♠9 and having taken two tricks in the suit South switched to the ♣10, one down, -50.

Closed Room

West	North	East	South
<i>Almaraghi</i>	<i>Ali</i>	<i>Alruwayeh</i>	<i>Hussian</i>
—	—	—	Pass
Pass	Pass	1NT	Pass
3♣*	Pass	3NT	All Pass
3♣	Transfer		

South led the ♠6 and that was the ninth trick, +400 and 10 IMPs for Kuwait.

India v UAE

Open Room

West	North	East	South
<i>Aggarwal</i>	<i>Batra</i>	<i>Law</i>	<i>Sharma</i>
—	—	—	1♠
Pass	1NT	Pass	2♥
Pass	Pass	Double	Pass
3♦	3♥	All Pass	

That was a painless +140.

Closed Room

West	North	East	South
<i>Day</i>	<i>El Ebiary</i>	<i>Kshiragar</i>	<i>Hindi</i>
—	—	—	Pass
Pass	Pass	1♣*	Double*
Redouble*	2♥	Pass	Pass
3♦	Pass	3NT	All Pass
1♣	17+		
Dble	Diamonds or both majors		
Rdbl	5-8		

Naturally South led a heart (the ♥4) which was another way to give up a ninth trick < +400 and 11 IMPs.

Advocates of passive leads would be delighted – the ♣10 is a killer.

Board 31. Dealer South. N/S Vul

♠ K853	<table border="1"> <tr><td>N</td></tr> <tr><td>W</td></tr> <tr><td>S</td></tr> <tr><td>E</td></tr> </table>	N	W	S	E	♠ 10962
N						
W						
S						
E						
♥ Q2	♥ K4					
♦ KQJ7642	♦ 109					
♣ —	♣ KQJ42					
♠ QJ74		♠ A				
♥ A109875		♥ J63				
♦ 5		♦ A83				
♣ 95		♣ A108763				

Kuwait v Pakistan

Open Room

West	North	East	South
<i>Khan</i>	<i>Husain</i>	<i>Bilal</i>	<i>Alrefae</i>
—	—	—	1♣
2♥	Double*	4♥	5♣
All Pass			

This unfortunate contract was four down, -400.

If you regard 5♣ as too unilateral then double is a reasonable alternative. If partner passes and leads the ♦K you can overtake, cash the ♣A and the ♠A, and continue with a club. Partner ruffs, cashes the ♠K and gives you a spade ruff. Then you play another club which ensures at least one more trick.



23rd BFAME Championships



Closed Room

West	North	East	South
<i>Almaraghi</i>	<i>Ali</i>	<i>Alruwayeh</i>	<i>Hussian</i>
-	-	-	2♣*
Pass	2♦*	Pass	3♣
Pass	3♦	Pass	4♦
Pass	5♦	All Pass	
2♣	Precision		
2♦	Asking		

East led the ♣K and that meant an overtrick, +620 and 14 IMPs.

Board 32. Dealer West. E/W Vul.

		♠ J983				
		♥ 5				
		♦ KJ7				
		♣ 107432				
♠ 10654	<table border="1"> <tr><td>N</td></tr> <tr><td>W E</td></tr> <tr><td>S</td></tr> </table>	N	W E	S	♠ AK2	
N						
W E						
S						
♥ K	♥ A9876					
♦ AQ65432	♦ 98					
♣ K		♣ A96				
		♠ Q7				
		♥ QJ10432				
		♦ 10				
		♣ QJ85				

Kuwait v Pakistan

Open Room

West	North	East	South
<i>Khan</i>	<i>Husain</i>	<i>Bilal</i>	<i>Alrefae</i>
1♦	Pass	1♥	Pass
2♦	Pass	3NT	All Pass

South led the ♥Q and having won with dummy's ♥K declarer played the ♦2, North winning with the ♦J and switching to the ♣2. Declarer won, came to hand with a spade and played a diamond. When South discarded declarer could do better than seven tricks, -200.

Closed Room

West	North	East	South
<i>Almaraghi</i>	<i>Ali</i>	<i>Alruwayeh</i>	<i>Hussian</i>
1♦	Pass	1♥	Pass
2♦	Pass	3NT	All Pass

South led the ♥Q and having won with dummy's ♥K declarer cashed the ♦A and continued with the ♦Q. North won and switched to the ♣3 and declarer won with dummy's ♣K, came to hand with a spade and played two rounds of hearts. South won, but North discarded a club, which

meant the contract was only one down, -100 and a 3 IMP swing, Pakistan winning 65-50.

India v UAE

Open Room

West	North	East	South
<i>Aggarwal</i>	<i>Batra</i>	<i>Law</i>	<i>Sharma</i>
1♦	Pass	1♥	Pass
1♠	Pass	2♦	Pass
3♦	Pass	3NT	Pass
5♦	Pass	6♦	All Pass

North led the ♥5 and declare won with the ♥K, unblocked the ♣K, went to dummy with a spade and played a diamond for the queen and king, finishing one down, -100.

That was a little unlucky, but declarer could have taken the safety play in diamonds, cashing the ace and later playing towards the ♦Q, which offers a 71.78% chance of losing only one trick. She was lucky it did not cost on this occasion.

Closed Room

West	North	East	South
<i>Dey</i>	<i>El Ebiary</i>	<i>Kshiragar</i>	<i>Hindi</i>
1♦*	Pass	1♥	Pass
1♠	Pass	2♦*	Pass
3♦	Pass	4♥	All Pass
1♦	11-16		
2♦	Forcing		

This unfortunate contract finished four down, -400 for 7 IMPs to UAE, India winning 41-28.



Schedule for Monday 14th April

Note all times are UAE (GMT+4)

Open Championship

R.R (02)		RR 02, Match (03), 10H00			RR 02, Match (04), 14H00			RR 02, Match (05), 16H50		
Date	Table No.	Home Team	X	Visiting Team	Home Team	X	Visiting Team	Home Team	X	Visiting Team
MON 14	1	4 Bangladesh	x	6 Kuwait	5 Jordan	x	7 Sri Lanka	6 Kuwait	x	2 UAE
	2	7 Sri Lanka	x	1 India	6 Kuwait	x	8 Syria	3 Pakistan	x	7 Sri Lanka
	3	3 Pakistan	x	5 Jordan	2 UAE	x	4 Bangladesh	8 Syria	x	1 India
	4	8 Syria	x	2 UAE	1 India	x	3 Pakistan	4 Bangladesh	x	5 Jordan

Women Championship

R.R (03)		Match (05), 10H00			RR(03),Match (01), 14H00			Match (02), 16H50		
Date	Table No.	Home Team	X	Visiting Team	Home Team	X	Visiting Team	Home Team	X	Visiting Team
MON 14	5	2 India	x	4 Pakitsan	1 Ranked 01	x	6 Ranked 06	2 Ranked 02	x	5 Ranked 05
	6	6 Sri Lanka	x	5 Palestine	5 Ranked 05	x	4 Ranked 04	6 Ranked 06	x	3 Ranked 03
	7	1 Jordan	x	3 UAE	3 Ranked 03	x	2 Ranked 02	4 Ranked 04	x	1 Ranked 01

Senior Championship

R.R (03)		Match (05), 10H00			RR(03),Match (01), 14H00			Match (02), 16H50		
Date	Table No.	Home Team	X	Visiting Team	Home Team	X	Visiting Team	Home Team	X	Visiting Team
MON 14	11	2 India	x	4 Bangladesh	1 Ranked 01	x	6 Ranked 06	2 Ranked 02	x	5 Ranked 05
	12	6 Saudi Arabia	x	5 UAE	5 Ranked 05	x	4 Ranked 04	6 Ranked 06	x	3 Ranked 03
	13	1 Pakistan	x	3 Jordan	3 Ranked 03	x	2 Ranked 02	4 Ranked 04	x	1 Ranked 01

Mixed Championship

R.R (03)		Match (05), 10H00			RR(03),Match (01), 14H00			Match (02), 16H50		
Date	Table No.	Home Team	X	Visiting Team	Home Team	X	Visiting Team	Home Team	X	Visiting Team
MON 14	8	2 Pakistan	x	4 Jordan	1 Ranked 01	x	--	2 Ranked 02	x	5 Ranked 05
	9	6 --	x	5 Saudi Arabia	5 Ranked 05	x	4 Ranked 04	--	x	3 Ranked 03
	10	1 UAE	x	3 India	3 Ranked 03	x	2 Ranked 02	4 Ranked 04	x	1 Ranked 01



Early Doors

Mark Horton

Although the phrase *early doors* is primarily associated with Football, I see no reason why it cannot be used in a bridge connotation, especially when I start reporting at 07.00 each day.

In Round 7 India would be hoping to consolidate their hold on second place in the Open as they faced UAE, while Pakistan and Jordan would be looking for gain ground on the leaders in the Women's event.

Board 1. Dealer North. None Vul.

<p>♠ 43 ♥ QJ1096 ♦ AK ♣ 7643</p>	<div style="border: 1px solid black; padding: 5px; width: 40px; margin: 0 auto;"> <p style="margin: 0;">N W E S</p> </div>	<p>♠ AKJ6 ♥ 43 ♦ Q9763 ♣ A5</p>	<p>♠ 10985 ♥ K875 ♦ 10 ♣ KQ82</p>
--	--	---	---

India v UAE

Open Room

West	North	East	South
<i>Ali</i>	<i>Tewari</i>	<i>Eissa</i>	<i>Mukherjee</i>
–	Pass	1♦	Pass
1NT	Pass	Pass	Double
3♦	3♥	3♠	Pass
4♠	All Pass		

Having been willing to play in 1NT East-West found themselves in game.

South led the ♥7 and declarer took dummy's ♥A and played the ♦J, North winning with the ♦K, cashing the ♥J and switching to the ♣4. Declarer won with the ♣A and played three rounds of trumps which condemned him to four down when the suit broke 4-2, -200.

Closed Room

West	North	East	South
<i>Bendre</i>	<i>Atef</i>	<i>Roy</i>	<i>Mekky</i>
–	Pass	1♦	Pass
3♣*	Pass	3♦	All Pass

South led the ♠10 and declarer won with the ♠K and played the ♦Q, easily securing nine tricks, +110 and 7 IMPs for India.

Jordan v Pakistan

Open Room

West	North	East	South
<i>Saigol</i>	<i>Hayrebedian</i>	<i>Raza</i>	<i>Almasri</i>
–	Pass	1♦	Pass
3♦	Pass	3NT	All Pass

South led the ♥5 and declarer won the second round of the suit with dummy's ♥A and played a diamond. North won and the defenders cashed their hearts. A club switch would have been three down, but North took the ♦K, -100.

Closed Room

West	North	East	South
<i>Al Salem</i>	<i>Raza</i>	<i>Al Taher</i>	<i>Hai</i>
–	Pass	1♦	Pass
1NT	2♥	3♦	3♥
Double	All Pass		

East led the ♠A and continued with the ♠K. At this point it was essential to play two rounds of clubs, setting up a potential ruff. A third spade allowed declarer to ruff and play the ♥J, after which there was no defence, -530 and 10 IMPs to Pakistan.



23rd BFAME Championships



Board 4. Dealer West. All Vul.

♠ 10		♠ J96532
♥ KQ10		♥ AJ
♦ KJ6		♦ A9
♣ KJ10764		♣ A95
♠ AK4		♠ Q87
♥ 7653		♥ 9842
♦ 1082		♦ Q7543
♣ Q83		♣ 2



India v UAE

Open Room

West	North	East	South
<i>Ali</i>	<i>Tewari</i>	<i>Eissa</i>	<i>Mukherjee</i>
Pass	1♣	1♠	Pass
2♠	All Pass		

South led the ♣2 for the queen, king and ace and declarer cashed dummy's ♠AK, finishing with eight tricks, +110.

Closed Room

West	North	East	South
<i>Bendre</i>	<i>Atef</i>	<i>Roy</i>	<i>Mekky</i>
Pass	1♣	1♠	Pass
2♠	3♣	Double	Pass
3NT	All Pass		

North led the ♥K and declarer took dummy's ♥A, played a spade to the ace, a club for the ten and ace and the ♠J, an excellent +600 and 10 IMPs to India.

Board 7. Dealer South. All Vul.

♠ 94		♠ 87
♥ AK43		♥ 987
♦ 82		♦ A965
♣ A6532		♣ KJ84
♠ KJ10		♠ AQ6532
♥ J		♥ Q10652
♦ J10743		♦ KQ
♣ Q1097		♣ —



India v UAE

Open Room

West	North	East	South
<i>Ali</i>	<i>Tewari</i>	<i>Eissa</i>	<i>Mukherjee</i>
—	—	—	1♠
Pass	1NT	Pass	2♥
Pass	4♥	All Pass	

West led the ♦4 and East took the ♦A and returned the ♦5. In due course West scored the ♠K, +650.

Closed Room

West	North	East	South
<i>Bendre</i>	<i>Atef</i>	<i>Roy</i>	<i>Mekky</i>
—	—	—	1♠
Pass	2♣	Pass	2♥
Pass	3♥	Pass	3♠
Pass	4♣*	Double	Redouble*
Pass	4♥	Pass	4NT*
Pass	5♣*	Pass	6♥

All Pass

4♣	Control
Rdbl	First round club control
4NT	RKCB
5♣	3 keycards

If you assume that North would have bid 4♠ over the redouble with a spade control, then South probably knew that the fate of 6♥ would depend on the location of the ♠K. Here it meant the loss of 13 IMPs.

Board 9. Dealer North. E/W Vul.

♠ K94		♠ Q1062
♥ 98		♥ 107652
♦ QJ7652		♦ A
♣ KQ		♣ 532
♠ AJ75		♠ 83
♥ KQJ4		♥ A3
♦ 43		♦ K1098
♣ A84		♣ J10976





23rd BFAME Championships



Jordan v Pakistan

Open Room

West	North	East	South
Saigol	Hayrebedian	Raza	Almasri
-	Pass	Pass	Pass
1NT	2♣*	3♣*	Double
3♥	Pass	4♥	All Pass
2♣	A single suited hand		
3♣	Stayman		


North led the ♣K and declarer won and played the ♥K, South taking the ♥A and returning the ♣7. North won and exited with the ♦2. Having won and drawn trumps declarer ruffed a diamond and ran the ♠10. North won and having seen partner follow to the diamonds with the eight and nine, exited with the ♦J, the ruff and discard giving declarer +620.

Closed Room

West	North	East	South
Al Salem	Raza	Al Taher	Hai
-	1♦	Pass	2♦
Double	3♦	3♥	4♦
4♥	5♦	Pass	Pass
Double	All Pass		

The defenders took four tricks, two down, -300 and Pakistan added 8 IMPs.

Board 10. Dealer East. All Vul.

♠ 108		♠ J9
♥ AK72		♥ QJ63
♦ 108		♦ A93
♣ Q9654		♣ AJ82
♠ AKQ6		
♥ 84		
♦ QJ54		
♣ K107		

India v UAE

Open Room

West	North	East	South
Ali	Tewari	Eissa	Mukherjee
-	-	1♣	1NT
Pass	2♦*	Pass	Pass
3♣	Pass	3NT	All Pass
2♦	Diamonds and a higher suit.		

With opening bids sometimes being made on little more than waste paper the requirements for a double of a 1NT overcall are not so clear. Here West was content to wait and then support clubs.

Given that South was likely to have a club trick, trying for game was a trifle optimistic.

South led the ♦Q and declarer won and cashed his winners for three down, -300.


Closed Room

West	North	East	South
Bendre	Atef	Roy	Mekky
-	-	1♣	1NT
Double	2♥	Double	Pass
Pass	2♠	Pass	Pass
3♣	All Pass		

2♥ was not alerted by the BBO operator.

There was nothing to the play, +110 and 9 IMPs for India.

Board 11. Dealer South. None Vul.

♠ K954		♠ J6
♥ J		♥ Q10964
♦ QJ8642		♦ 3
♣ KJ		♣ A9642
♠ AQ7		
♥ 872		
♦ 75		
♣ 108753		
♠ 10832		
♥ AK53		
♦ AK109		
♣ Q		

India v UAE

Open Room

West	North	East	South
Ali	Tewari	Eissa	Mukherjee
-	-	-	1NT
Pass	2♣*	Pass	2♥
Pass	3NT	Pass	4♠
All Pass			
2♣	Stayman		

West led the ♦7 and declarer won with the ♦K, played a spade to the king and a spade for a comfortable +420.



23rd BFAME Championships



Closed Room

West	North	East	South
<i>Bendre</i>	<i>Atef</i>	<i>Roy</i>	<i>Mekky</i>
-	-	-	1♦
Pass	1♠	Pass	3♠
Pass	4NT*	Pass	5♥*
Pass	5♠	All Pass	
4NT	RKCB		
5♥	2 keycards		

East led the ♦3 and declarer won with dummy's ♦A, played a spade to the king and spade, one down, -50 and a 10 IMP loss.

Jordan v Pakistan

Open Room

West	North	East	South
<i>Saigol</i>	<i>Hayrebedian</i>	<i>Raza</i>	<i>Almasri</i>
-	-	-	1♦
Pass	1♠	Pass	3♠
Pass	4♠	All Pass	

East led the ♦3 and declarer won with dummy's ♦A and played a spade to the nine, East winning with the ♠J. On this layout the defenders could only come to three tricks, +420.

Closed Room

West	North	East	South
<i>Al Salem</i>	<i>Raza</i>	<i>Al Taher</i>	<i>Hai</i>
-	-	-	1♦
Pass	1♠	Pass	3♠
Pass	4♣*	Double	4♦*
Pass	4NT*	Pass	5♥*
All Pass			
4♣	Control		
4♦	Control		
4NT	RKCB		
5♥	2 keycards		

East led the ♠J and declarer had to go one down, -50 and a 10 IMP loss.

Board 13. Dealer North. All Vul.

♠ AQJ3		
♥ 752		
♦ K875		
♣ AK		
♠ K72		♠ 109865
♥ Q643		♥ A109
♦ Q10643		♦ A2
♣ 4		♣ J97

	N	
W		E
	S	

♠ 4	
♥ KJ8	
♦ J9	
♣ Q1086532	

Jordan v Pakistan

Open Room

West	North	East	South
<i>Saigol</i>	<i>Hayrebedian</i>	<i>Raza</i>	<i>Almasri</i>
-	1NT	Pass	2♠*
Pass	3♣	Pass	5♣
All Pass			
2♠	Clubs		

East started with two rounds of diamonds and declarer won with the ♦K, unblocked the ♣AK and played a heart to the jack. West won and switched to the ♠7, declarer taking the ♠A and playing a heart, one down, -100.

Closed Room

West	North	East	South
<i>Al Salem</i>	<i>Raza</i>	<i>Al Taher</i>	<i>Hai</i>
-	1NT	Pass	2♠*
Pass	3NT	All Pass	
2♠	Clubs		

East led the ♠10 for the king and ace and declarer unblocked the clubs and played a heart. East went up with the king and played two rounds of diamonds, +660 and 13 IMPs.

India and **Pakistan** had recorded convincing wins.



Standings

Open Team	VPs	Position
Bangladesh	127.82	1
India	123.89	2
UAE	92.82	3
Jordan	92.38	4
Pakistan	91.27	5
Syria	69.03	6
Kuwait	61.83	7
Sri Lanka	54.96	8

At any time you can get up-to-date information and results for the championships on-line at www.bridgewebs.com/bfame. You can also use the QR code as shown to go direct to the site.

Also please be aware that results published in the bulletin are provisional and subject to change as a result of rulings or other matters coming to light.

Senior Team	VPs	Position
India	125.7	1
Pakistan	123.18	2
Bangladesh	86.62	3
Saudi Arabia	72.69	4
UAE	71.46	5
Jordan	52.09	6

Women Team	VPs	Position
India	143.74	1
UAE	122.08	2
Pakistan	100.93	3
Jordan	70.31	4
Palestine	58.28	5
Sri Lanka	44.66	6

Mixed Team	VPs	Position
UAE	139.2	1
India	121.19	2
Pakistan	77.5	3
Jordan	68.11	4
Saudi Arabia	62	5



Straight Down The Middle

Mark Horton

On a day when we discover who will don the coveted green jacket at Augusta the second match saw the team dominating the Open Series, Bangladesh, take on Sri Lanka, while the Senior teams representing Bangladesh and Saudi Arabia were in opposition.

Board 18. Dealer East. N/S Vul.

♠ 108		♠ 62
♥ A9542		♥ Q108
♦ 10		♦ AK9764
♣ AKQ73		♣ J5
♠ KQ543		♠ AJ97
♥ J73		♥ K6
♦ Q52		♦ J83
♣ 98		♣ 10642

Sri Lanka v Bangladesh

Open Room

West	North	East	South
<i>M Rahman</i>	<i>R Perera</i>	<i>Ispahani</i>	<i>E Perera</i>
-	-	3♦	Pass
4♦	4♥	All Pass	

With hearts breaking this contract presented no difficulty, declarer ruffing the second diamond and playing three rounds of hearts, +620.

Closed Room

West	North	East	South
<i>Keerthisena</i>	<i>A Rahman</i>	<i>Soyso</i>	<i>Kamruzzaman</i>
-	-	1♦	Pass
1♠	Double	2♦	3♣
3♦	3♥	Pass	4♥

All Pass

When South could freely bid 3♣, North's hand became even stronger, but it is not clear what the best move is.

The play was identical, no swing.

Bangladesh v Saudi Arabia

Open Room

West	North	East	South
<i>Rheimy</i>	<i>Ahmed</i>	<i>Bajneid</i>	<i>Hanzala</i>
-	-	2♦	Pass
Pass	2♥	Pass	3♥

All Pass

East led the ♦A and switched to the ♠6, declarer taking dummy's ♠A and playing three rounds of trumps, +170.

You see the fascination of bridge? Three different opening bids and who is to say which is best?

Closed Room

West	North	East	South
<i>A Haque</i>	<i>Bassem</i>	<i>Hussein</i>	<i>Sahab</i>
-	-	1♦	Pass
1♠	1NT	2♦	Pass
2♠	All Pass		

North started with three rounds of clubs, declarer pitching a heart from dummy and ruffing in hand. The ♥3 saw North win and exit with a heart, South winning and switching to the ♠7. That allowed declarer to win, cross to dummy with a diamond and play a second spade, one down, -50 and 3 IMPs for Bangladesh.

Board 21. Dealer North. N/S Vul.

♠ 10632		♠ KQJ9
♥ Q87		♥ AK103
♦ 432		♦ QJ105
♣ K104		♣ 3
♠ 75		♠ A84
♥ J42		♥ 965
♦ AK97		♦ 86
♣ 9762		♣ AQJ85



23rd BFAME Championships



Sri Lanka v Bangladesh

Open Room

West	North	East	South
<i>M Rahman</i>	<i>R Perera</i>	<i>Ispahani</i>	<i>E Perera</i>
-	Pass	1♦	2♣
2♦	3♣	Double*	Pass
3♦	All Pass		

Despite having such wonderful diamonds, there is a case for passing the double.

Declarer took 10 tricks, +130

Closed Room

West	North	East	South
<i>Keerthisena</i>	<i>A Rahman</i>	<i>Soysa</i>	<i>Kamruzzaman</i>
-	Pass	1♦	Pass
1NT	Pass	2NT	Pass
3NT	All Pass		

North led the ♠6 and declarer won in dummy with the ♠Q but then played the ♠K, South winning and switching to the ♣Q, followed by a low club, two down giving Bangladesh 6 IMPs.

Bangladesh v Saudi Arabia

Open Room

West	North	East	South
<i>Rheimy</i>	<i>Ahmed</i>	<i>Bajneid</i>	<i>Hanzala</i>
-	Pass	1♦	2♣
2♠	3♣	Double*	All Pass

You can see why South bid 2♣, but the dangers of overcalling on a five-card suit (in this case facing a passed partner at adverse vulnerability) can come home to roost to the tune of three down, -800.

Closed Room

West	North	East	South
<i>A Haque</i>	<i>Bassem</i>	<i>Hussein</i>	<i>Sahab</i>
-	Pass	1♦	2♣
2♦	Pass	2♥	Pass
3♦	All Pass		

Declarer collected 11 tricks, but it was a loss of 12 IMPs.

Board 22. Dealer East. E/W Vul.

♠ K 10 9
♥ 6 5
♦ Q J 4
♣ J 10 6 4 3

♠ 5 4
♥ K 10 7
♦ 9 7 5 2
♣ A K Q 8



♠ A Q
♥ Q J 8 4 3 2
♦ K 6 3
♣ 9 2

♠ J 8 7 6 3 2
♥ A 9
♦ A 10 8
♣ 7 5

Sri Lanka v Bangladesh

Open Room

West	North	East	South
<i>M Rahman</i>	<i>R Perera</i>	<i>Ispahani</i>	<i>E Perera</i>
-	-	1♥	1♠
4♥	All Pass		

South led the ♣7 and having won in dummy declarer played the ♥10 and South won and cashed the ♦A, declarer finishing with 11 tricks, +650.

Closed Room

West	North	East	South
<i>Keerthisena</i>	<i>A Rahman</i>	<i>Soysa</i>	<i>Kamruzzaman</i>
-	-	1♥	1♠
4♥	All Pass		

Declarer won the club lead and played a heart for the jack and ace, South exiting with a heart. Declarer won in dummy, cashed another club and then played a spade to the ace, followed by the ♠Q. North won and switched to the ♦4, which was fine when his partner had the ♦10, one down, -100 and 13 IMPs for Bangladesh.

Bangladesh v Saudi Arabia

Open Room

West	North	East	South
<i>Rheimy</i>	<i>Ahmed</i>	<i>Bajneid</i>	<i>Hanzala</i>
-	-	1♥	2♠
4♥	4♠	Pass	Pass
Double	All Pass		

It was easy to collect five tricks, two down, -300.



23rd BFAME Championships



Closed Room

West	North	East	South
<i>A Haque</i>	<i>Bassem</i>	<i>Hussein</i>	<i>Sahab</i>
-	-	1♥	1♠
Double*	2♠	2NT	Pass
3♠*	Double	Pass	Pass
3NT	All Pass		
3♠	How good is your spade stop?		

South led the ♠6 and declarer took North's ♠K and knocked out the ♥A for +630 and 8 IMPs.

On Board 23 E/W held ♠AJ63 ♥AQ1084 ♦AQ7♣6 opposite ♠7♥KJ962 ♦1054 ♣J432 but one pair in each match stopped short of game, **Bangladesh** being the recipients of 10 IMPs on both occasions.

Board 27. Dealer South. None Vul.

	♠ K987532	
	♥ 73	
	♦ 964	
	♣ K	
♠ 104		♠ AQJ
♥ K962		♥ Q5
♦ QJ1085		♦ A7
♣ A2		♣ J109543
	♠ 6	
	♥ AJ1084	
	♦ K32	
	♣ Q876	



Sri Lanka v Bangladesh

Open Room

West	North	East	South
<i>M Rahman</i>	<i>R Perera</i>	<i>Ispahani</i>	<i>E Perera</i>
-	-	-	1♥
Pass	1♠	2♣	Pass
2♦	2♠	Pass	Pass
3♣	All Pass		

South led the ♠6 and declarer took North's ♠K and played the ♣J to dummy's ♣A, which meant only nine tricks, +110.

Closed Room

West	North	East	South
<i>Keerthisena</i>	<i>A Rahman</i>	<i>Soysa</i>	<i>Kamruzzaman</i>
-	-	-	Pass
Pass	3♠	All Pass	

East might have ventured 3NT, but he was facing a passed partner.

Declarer manged seven tricks, -100 so no swing.

Bangladesh v Saudi Arabia

Open Room

West	North	East	South
<i>Rheimy</i>	<i>Ahmed</i>	<i>Bajneid</i>	<i>Hanzala</i>
-	-	-	Pass
Pass	3♠	All Pass	

East led the ♣J and when West withheld the ♣A declarer won and played the ♥3 for the five, jack and king, West switching to the ♦10. Declarer was allowed to win with dummy's ♦K and he ruffed a club, played a heart for the queen and ace but then tired to cash the ♣Q which meant he was two down when West ruffed with the ♠10, -100 but 8 IMPs to Bangladesh.

Closed Room

West	North	East	South
<i>A Haque</i>	<i>Bassem</i>	<i>Hussein</i>	<i>Sahab</i>
-	-	-	Pass
Pass	2♦*	Pass	2♥*
Pass	2♠	2NT	Pass
3NT	All Pass		
2♦	Weak in a major		
2♥	Pass or correct		

South led the ♠6 for the ten, three and jack and declarer played two rounds of diamonds, taking 11 tricks when South discarded three clubs on the diamonds and spades, +460.

Board 31. Dealer South. N/S Vul.

	♠ 532	
	♥ Q93	
	♦ A64	
	♣ AKJ4	
♠ 74		♠ QJ108
♥ 87652		♥ J
♦ KQ872		♦ J1093
♣ 6		♣ Q975
	♠ AK96	
	♥ AK104	
	♦ 5	
	♣ 10832	





23rd BFAME Championships



Sri Lanka v Bangladesh

Open Room

West	North	East	South
<i>M Rahman</i>	<i>R Perera</i>	<i>Ispahani</i>	<i>E Perera</i>
-	-	-	2♦*
Pass	2NT*	Pass	3♦*
Pass	4♣	Pass	5♣
All Pass			
2♦	4441, 11+		
2NT	Asking		
3♦	441♦4		

East led the ♠Q and declarer won with dummy's ♥K, played a club to the king, a spade to the ace, a diamond to the ace and ruffed a diamond. A heart to the queen was followed by the ♣A, but when West discarded the ♥5 declarer could not avoid the loss of three tricks, -100.

Closed Room

West	North	East	South
<i>Keerthisena</i>	<i>A Rahman</i>	<i>Soysa</i>	<i>Kamruzzaman</i>
-	-	-	1♣
Pass	1♦	Pass	1NT
Pass	3NT	All Pass	

West led the ♥5 and declarer won with the ♥a, played a club to the ace, cashed the ♥9, and ♥Q and played the ♣4, taking ten tricks, +630 and another 12 IMPs for Bangladesh.

Board 32. Dealer West. E/W Vul.

♠ K985		♠ J3									
♥ Q86		♥ A2									
♦ 632		♦ A10974									
♣ K83		♣ AQJ10									
♠ AQ1074											
♥ J1043											
♦ K85											
♣ 5											
	<table border="1" style="text-align: center; width: 40px; height: 40px;"> <tr><td></td><td>N</td><td></td></tr> <tr><td>W</td><td></td><td>E</td></tr> <tr><td></td><td>S</td><td></td></tr> </table>		N		W		E		S		
	N										
W		E									
	S										
		♠ 62									
		♥ K975									
		♦ QJ									
		♣ 97642									

Bangladesh v Saudi Arabia

Open Room

West	North	East	South
<i>Rheimy</i>	<i>Ahmed</i>	<i>Bajneid</i>	<i>Hanzala</i>
1♠	Pass	2♦	Pass
3♦	Pass	4NT*	Pass
5♥*	Pass	6♦	All Pass
4NT	RKCB		
5♥	2 keycards		

South led the ♣7 for the king and ace and declarer ran the ♠J, North winning and retrunign the ♥8. Declarer took the ♥A, cashed the ♦A and was soon claiming, +1370.

Closed Room

West	North	East	South
<i>A Haque</i>	<i>Bassem</i>	<i>Husein</i>	<i>Sahab</i>
1♠	Pass	2♦	Pass
2♥	Pass	3♣*	Pass
3♦	Pass	4NT*	Pass
5♥*	Pass	6♦	All Pass
3♣	Fourth suit forcing		
4NT	RKCB		
5♥	2 keycards		

South led the ♦J and declarer won with dummy's ♦K. When he then decided to run the ♦8 South won and switched to the ♥5. Declarer winning and running the ♠J to go two down, -200 and 17 IMPs for Saudi Arabia.

Suppose the diamonds were 4-1?

After drawing trumps declarer will have to play on spades, but if the ♠K is offside North will duck the first round of the suit. So perhaps you should play South to have led from the ♦QJ.

It was huge win for the Bangladesh Open team, and a modest one for their Seniors.



Championship Rosters

		Open			
Bangladesh		India		Jordan	
Md Moshiur Rahman	131	Rajeshwar Tewari	101	Zafer Jarrar	121
Md Asifur Rahman	132	Sumit Mukherjee	102	Aaida Abu-Jaber	122
Shah Zia-Ul Haque	133	Kaustabh Nandi	103	Clement Maamarbachi	123
Md Zahid Hossain	134	Sagnik Roy	104	Marwan Ghanem	124
Mirza Sajid Ispahani	135	Kaustubh Milind Bendre	105	Sakher Malkawi	125
A H M Kamruzzaman	136	Sayantan Kushari	106	Amr Al Nimer	126
Kuwait		Pakistan		Sri Lanka	
Khaleefah Al Ali	141	Arslan Mansoor	111	Rex Perera	151
Numan Al Turki	142	Gulzar Ahmed Bilal	112	Enaksha Perera	152
Bader Alrefae	143	Mirza Shauq Hussain	113	Dilanjana Soysa	153
Ahmad Alruwayeh	144	Mohsin Chandna	114	Jeevananda Keerthisena	154
Mohammad Husain	145	Sarfraz Ahmed Khan	115		
Hani Ibrahim Almaraghi	146	Syed Imran Ali	116		
Syria		UAE			
Ahmed Mansour	161	Hesham Atef	171		
Assem Hussami	162	Akiel Al Madi	172		
Azzam Hallaq	163	Emad El Shourbagy	173		
Wael Dogmoch	164	Tamer Ali	174		
Suhair Tabakh	165	Tamer Eissa	175		
Fares Azrak	166	Amr Mekky	176		
		Women			
India		Jordan		Pakistan	
Puja Batra	211	Bana Al Taher	201	Fatima Raza	231
Asha Sharma	212	Reem Abdelhadi	202	Rubina Agha	232
Bindiya Kohli	213	Hanan Al Salem	203	Rehana Saigol	233
Priya Balasubramanian	214	Mona Al Zaben	204	Samina Raza	234
Bharati Dey	215	Lina Almasri	205	Rubina Hai	235
Alka M Kshirsagar	216	Selva HairBedlan	206	Shanaz Bamboat	236
Palestine		Sri Lanka		UAE	
Laila Haddadin	241	Maheesha Tambiah	251	Sawsan El Ebiary	221
May Abugharbieh	242	Sucharitha Ratnatunga	252	Manju Law	222
Fairouz Zaghmout	243	Carmi Mendis	253	Maria Hindi	223
Hala Sawwaf	244	Janani Wijeyeratne	254	Anshu Aggarwal	224
Nawar Hashem	245	Badra Jayaweera	255	Rupy Walia	225
Hanan Al Bitar	246	Sarla Nagendra	256	KumKum Kumar	226



Championship Rosters

		Senior			
Bangladesh		India		Jordan	
Sayeed Ahmed	431	Ramaratnam Krishnan	411	Ghassan Ghanem	421
Dewan Md Hanzala	432	B Prabhakar	412	Yasmin Khattak	422
Khandakar Muzharul Haque	433	Bachiraju Satyanarayana	413	Zead Sharaiha	423
Md Jahirul Haque	434	Jaggy B Shivdasani	414	Mais Al Bitar	424
Md Azizul Haque	435	Subhash Gupta	415	Hassana Zuabi	425
ATM Moazzem Hussein	436	Ravi Goenka	416	Abla Musa	426
Pakistan		Saudi Arabia		UAE	
Abdul Hameed Syed	401	Bassem Afyouni	451	Ahmed Al Midfa	441
Ghalib Bandesha	402	Abdulkakim Sahab	452	Hussain Adam Ali	442
Arif Janjua	403	Omar Bajunaid	453	Wael Agamawi	443
Kamran Ibrahim	404	Omar Swayegh	454	Arun Chopra	444
Masood Mazhar	405	Abdallah Rheimy	455	Ravi Bhat	445
Nauman Khalid Butt	406	Salem Sabali	456	Sanjay Dutta	446
		Women			
India		Jordan		Pakistan	
Puja Batra	211	Bana Al Taher	201	Fatima Raza	231
Asha Sharma	212	Reem Abdelhadi	202	Rubina Agha	232
Bindiya Kohli	213	Hanan Al Salem	203	Rehana Saigol	233
Priya Balasubramanian	214	Mona Al Zaben	204	Samina Raza	234
Bharati Dey	215	Lina Almasri	205	Rubina Hai	235
Alka M Kshirsagar	216	Huda Rabeih	206	Shanaz Bamboat	236
Palestine		Sri Lanka		UAE	
Laila Haddadin	241	Maheesha Tambiah	251	Sawsan El Ebiary	221
May Abugharbieh	242	Sucharitha Ratnatunga	252	Manju Law	222
Fairouz Zaghmout	243	Carmi Mendis	253	Maria Hindi	223
Hala Sawwaf	244	Janani Wijeyeratne	254	Anshu Aggarwal	224
Nawar Hashem	245	Badra Jayaweera	255	Rupy Walia	225
Hanan Al Bitar	246	Sarla Nagendra	256	KumKum Kumar	226



Results

Open Championship

Session 1	VPs
India - UAE	20-0
Pakistan - Bangladesh	15.19-4.81
Kuwait - Jordan	0-20
Syria - Sri Lanka	6.03-13.97
Session 2	
Kuwait - India	3.12-16.88
Sri Lanka - Bangladesh	0-20
Jordan - UAE	8.8-11.2
Syria - Pakistan	11.2-8.8
Session 3	
UAE - Pakistan	18.55-1.45
Jordan - Syria	6.72-13.28
India - Bangladesh	12.55-7.45
Kuwait - Sri Lanka	18.66-1.34

Women Championship

Session 1	VPs
Palestine - India	1.23-18.77
UAE - Sri Lanka	17.72-2.28
Jordan - Pakistan	1.56-18.44
Session 2	
Pakistan - Sri Lanka	13.97-6.03
India - Jordan	20-0
UAE - Palestine	17.03-2.97
Session 3	
Palestine - Jordan	10.91-9.09
Pakistan - UAE	7.97-12.03
Sri Lanka - India	2.28-17.72

Mixed Championship

Session 1	VPs
Saudi Arabia - Palestine	10-10
India - Bye	12-0
UAE - Jordan	17.85-2.15
Session 2	
Jordan - Bye	12-0
Pakistan - UAE	4.62-15.38
India - Saudi Arabia	3.91-16.09
Session 3	
Saudi Arabia - UAE	2.15-17.85
Jordan - India	0-20
Bye - Pakistan	0-12

Senior Championship

Session 1	VPs
UAE - India	0.39-19.61
Jordan - Saudi Arabia	12.03-7.97
Pakistan - Bangladesh	10.61-9.39
Session 2	
Bangladesh - Saudi Arabia	12.29-7.71
India - Pakistan	13.04-6.96
Jordan - UAE	1.56-18.44
Session 3	
UAE - Pakistan	5.4-14.6
Bangladesh - Jordan	14.39-5.61
Saudi Arabia - India	7.97-12.03